



Fire Table

CO9014

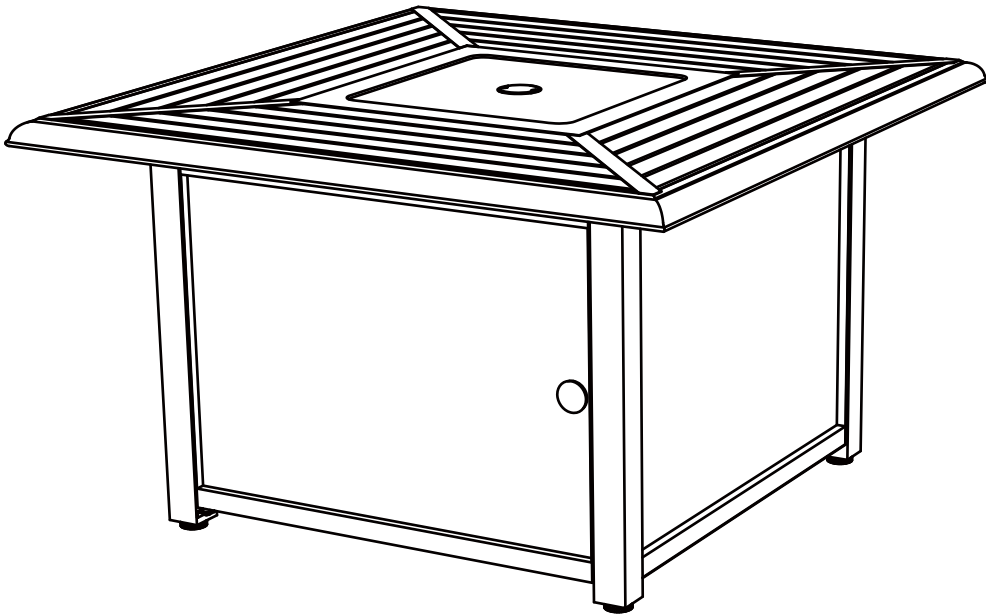


TABLE OF CONTENTS

- Warnings and Cautions3-5
- Parts List6-7
- Assembly8-12
- Operation13-15
- Maintenance and Storage16-17
- Troubleshooting18

REMINDER

BEFORE ASSEMBLY

Verify that all parts are included with your appliance BEFORE you begin assembly by checking the Parts and Hardware List. For your convenience, some parts may be pre-assembled .

If some parts are not included, do not attempt to assemble appliance. Call the free number on the cover page for replacement parts.

Please do not fully tighten bolts until appliance is fully assembled.

OWNER'S MANUAL

Keep and store this Owner's Manual for future reference. It contains important instructions and procedures for safety and maintenance.

Safety Information

Read the instruction before use. This appliance must be installed in accordance with such regulations as are enforced.

CAUTION

Installer: Leave this manual with the appliance.
Consumer: Retain this manual for future reference.

DANGER: FIRE OR EXPLOSION HAZARD

If you smell gas:

- Shut off gas to the appliance.
- Extinguish any open flame.
- If odor continues, leave the area immediately.
- After leaving the area, call your gas supplier or fire department.

Failure to follow these instructions could result in fire or explosion, which could cause property damage, personal injury, or death.

DANGER

CARBON MONOXIDE HAZARD

This appliance can produce carbon monoxide which has no odor.
Using it in an enclosed space can kill you.
Never use this appliance in an enclosed space such as a camper, tent, car or home.



INSTALLER: leave this manual with the appliance.
CONSUMER: Retain this manual for future reference.

WARNING: For Outdoor Use Only!

Installation and service must be performed by a qualified installer, service agency, or the gas supplier.

WARNING:

Improper installation, adjustment alteration, service or maintenance can cause property damage, personal injury, or loss of life. Read the installation, operating, and maintenance instructions thoroughly before installing or servicing this gas appliance.


WARNING:

FOR YOUR SAFETY:

If the information in this manual is not followed exactly, a fire or explosion may result causing property damage, personal injury or loss of life.

WHAT TO DO IF YOU SMELL GAS:

Do not try lighting any appliance.
Do not touch any electrical switch; DO NOT use any phone in your building.
Immediately call your gas supplier from a neighbor's phone.
Follow the gas supplier's instructions.
If you cannot reach your gas supplier.
Call the fire department.
Installation and service must be performed by a qualified installer, service agency or gas supplier. Save these instructions for future reference. If you are assembling this unit for someone else, give this manual to him or her to read and save for future reference.

 **WARNING:** Do not store or use gasoline, or other flammable vapors and liquids, in the vicinity of this or any other appliance. An Lp-cylinder not connected for use shall not be stored in the vicinity of this or any other appliance.

You must provide propane gas and propane cylinder. Use a standard 20 lb. propane cylinder only.

Use this heater only with a propane vapor withdrawal supply system. See Chapter 5 of the Standard for Storage and Handling of Liquefied Petroleum Gas, ANS/NFPA 58. Your local library or fire department should have this book.

The pressure regulator and hose assembly supplied with the appliance must be used.

The installation must conform with local codes, or in absence of local codes, with National Fuel Gas Code, ANSI Z223.1.

A dented, rusted, or damaged propane cylinder may be hazardous and should be checked by your cylinder supplier. Never use a propane cylinder with a damaged valve connection.

The LP-gas supply cylinder must be constructed and marked in accordance with the U.S. Department of Transportation (D.O.T) Specifications for LP-Gas Cylinders, or the standard for Cylinders, Spheres and Tubes for Transportation of Dangerous Good and Commission, CAN/CSA-B339, as applicable.

The LP-gas supply cylinder must be provided with a cylinder connection device compatible with the connection for the appliance.

The cylinder used must include a collar to protect the cylinder valve.

The LP-gas supply cylinder must be provided with a listed overfill protection device (OPD).

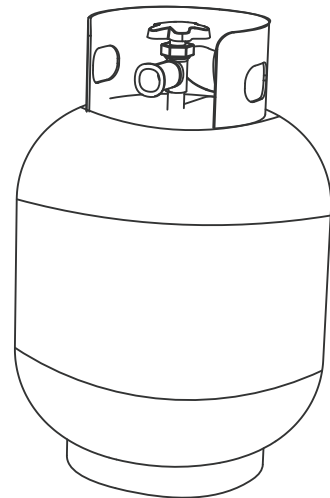
Do not store a spare LP gas cylinder under or near this appliance.

Never fill the cylinder beyond 80 percent full.

For appliances designed to use a CGA No. 791QCC connection.

Place the dust cap on the cylinder valve outlet whenever the cylinder is not in use.

Note: Gas supply pressure: 25 PSI to 250 PSI.



Standard 20 lbs. tank

⚠ WARNING: FUELS USED IN LIQUIFIED PROPANE GAS APPLIANCES, AND THE PRODUCTS OF COMBUSTION OF SUCH FUELS, CAN EXPOSE YOU TO CHEMICALS INCLUDING BENZENE, WHICH IS KNOWN TO THE STATE OF CALIFORNIA TO CAUSE CANCER AND CAUSE BIRTH DEFECTS OR OTHER REPRODUCTIVE HARM. For more information go to: www.P65Warnings.ca.gov.

PLEASE READ THE FOLLOWING SAFETY RULES

WARNING:

The appliance is not for use with solid fuel.

The installation must conform with local codes or, in the absence of local codes, with the National Fuel Gas Code, ANSI Z223. 1/ NFPA 54, NFPA58 Natural Gas and Propane Installation Code, CSA B149.1, or Propane Storage and Handling CODE, B149.2.

The appliance, when installed, must be electrically grounded in accordance with local codes or, in the absence of local codes, with the National Electrical Code, ANSI/ NFPA 70, or the Canadian Electrical Code, CSA C22.1.

Prior to use, check for damaged parts such as hose, regulators, pilot or burner.

Inspect the fuel supply connection for signs of leakage (including the hose for LP models) before each use of the appliance.

All leak tests should be done with a soapy solution. NEVER USE AN OPEN FLAME TO CHECK FOR LEAKAGE.

Children and adults should be alerted to the hazards of high surface temperatures and should stay away to avoid burns or clothing ignition.

Young children should be carefully supervised when they are in the area of the appliance.

Clothing or other flammable materials should not be hung from the appliance, or placed on or near the appliance.

Any guard or other protective device removed for servicing the appliance must be replaced prior to operating the appliance.

Installation and repair should be done by a qualified service person. The appliance should be inspected before use and at least annually by a qualified service person.

More frequent cleaning may be required as necessary. It is imperative that control compartment, burners and circulating air passageways of the appliance be kept clean.

Keep the appliance area clear and free from combustible materials, gasoline and other flammable vapors and liquids.

DO NOT OBSTRUCT the flow of combustion and ventilation air.

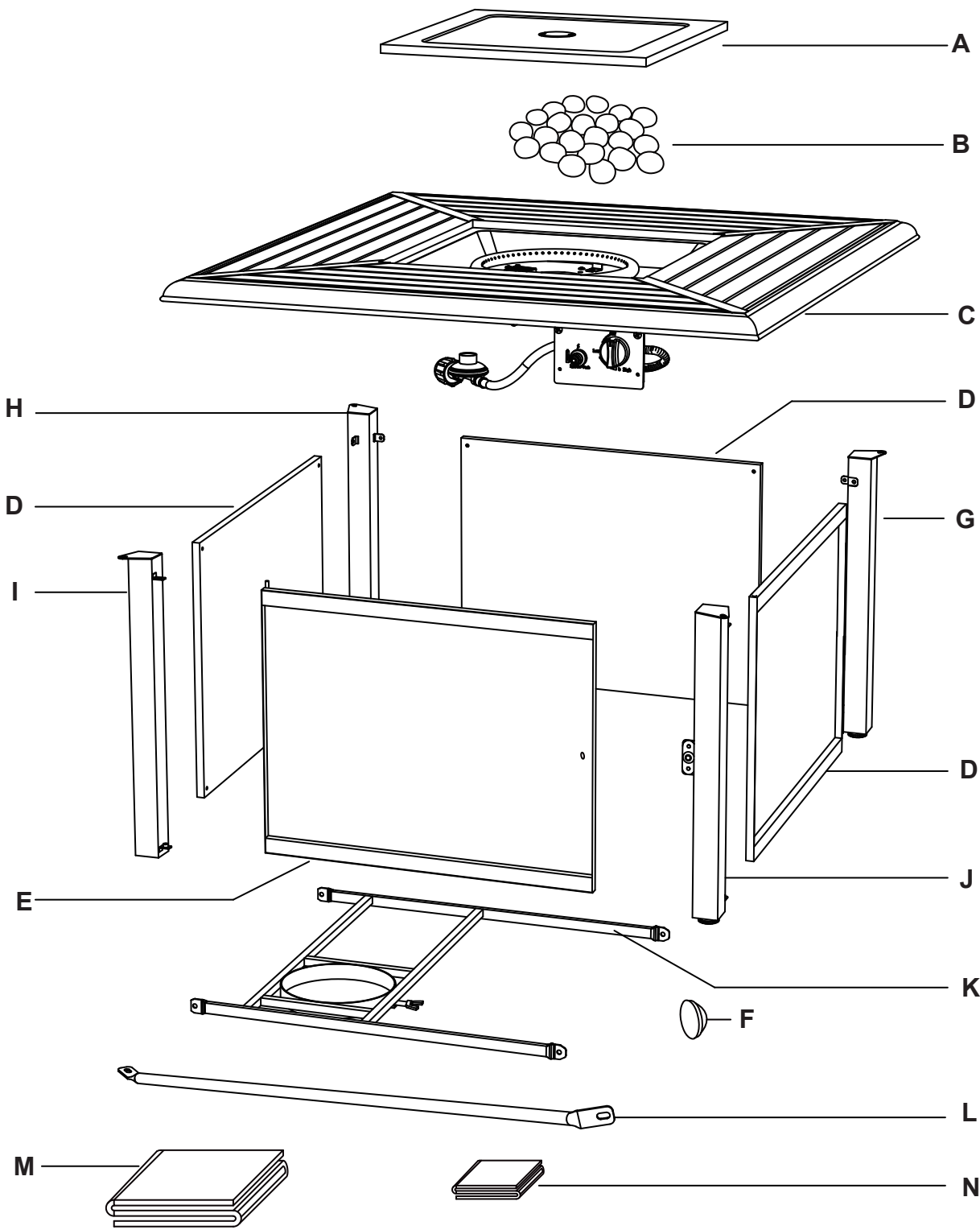
Keep the ventilation opening(s) of the cylinder enclosure free and clear from debris.

The appliance shall be used only in a well-ventilated space and shall not be used in a building, garage or any other enclosed area.



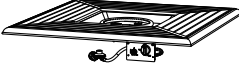
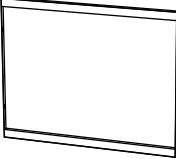
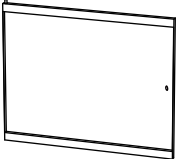

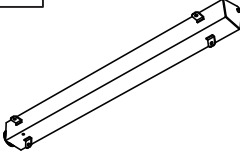
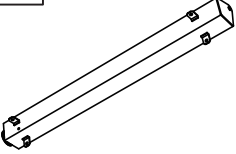
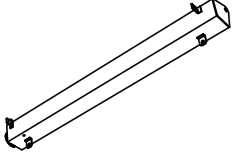
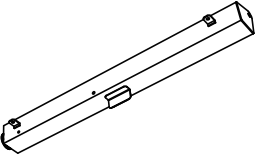
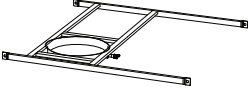

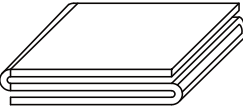

An appliance may be installed with shelter no more inclusive than: With walls on all sides, but with no overhead cover.

Within a partial enclosure which includes an overhead cover and no more than two side walls. These side walls may be parallel, as in a breezeway, or at right angles to each other.

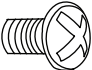
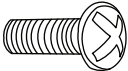


PART LIST



PART LIST

	 (8kgs)	 (With Burner)		
Lid 1 PC	Flame Glass 1 PC	Top Panel 1 PC	Side Panel 3 PCS	Door Panel 1 PC
				
Knob 1 PC	Right Leg 1 PC	Left Leg 1 PC	Left Door Leg 1 PC	Right Door Leg 1 PC
				
Propane Tank Support 1 PC	Cross Bar 1 PC	Table Cover 1 PC	Cylinder Cover 1 PC	

HARDWARE LIST

#1  M 6 x10 mm	#2  M 6 x20 mm	#3  M 6 Nut	#4 
Short Bolt 22 PCS (Extra 2)	Bolt 2 PCS (Extra 1)	Nut 1PC (Extra 1)	AAA Battery 1 PC

ADDITIONAL TOOLS (Not Provide)

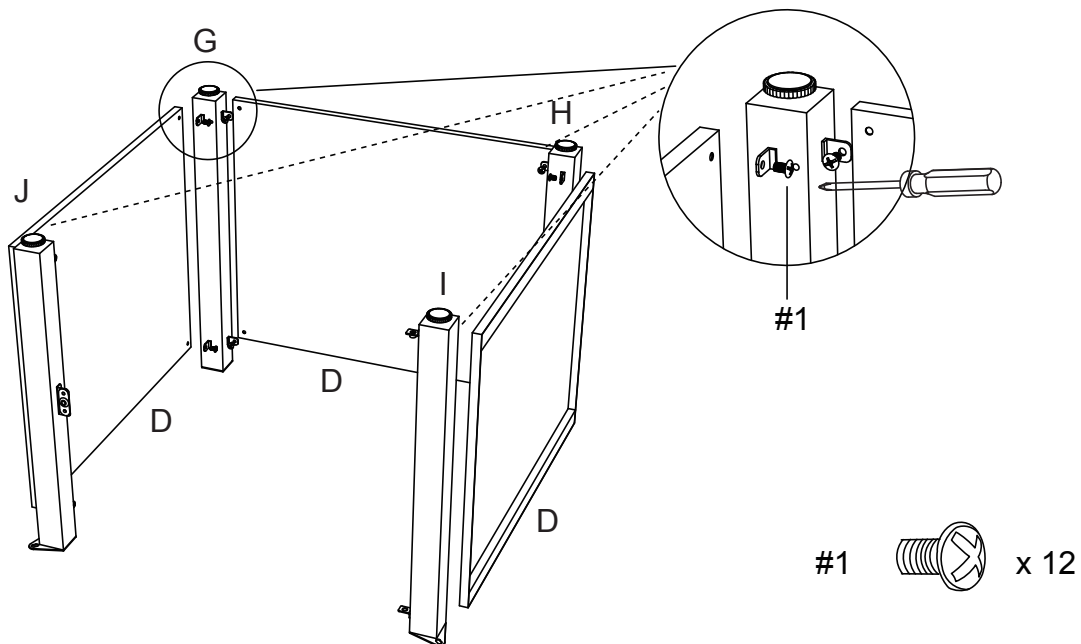
Note: It is not recommended to use power tools during assembly.



ASSEMBLY

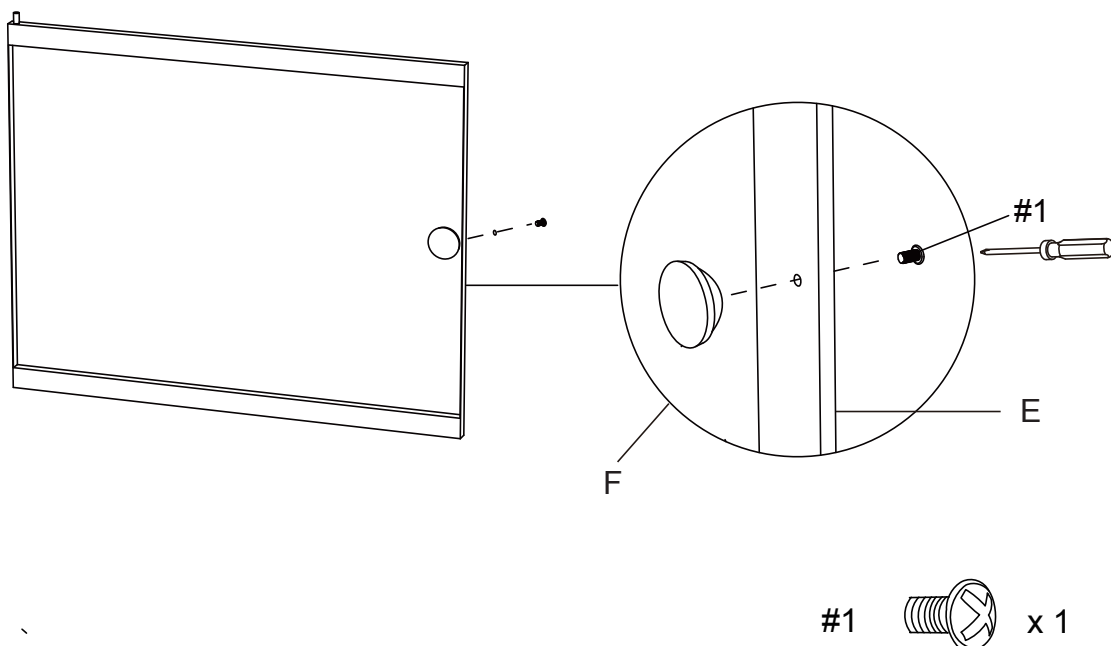
Step 1. Attach side panels (part D) to right leg (part G), left leg (part H), left door leg (part I) and right door leg (part J) using short bolts (part #1) and phillips head screwdriver.

NOTE: Please do not fully tighten bolts until unit is fully assembled.



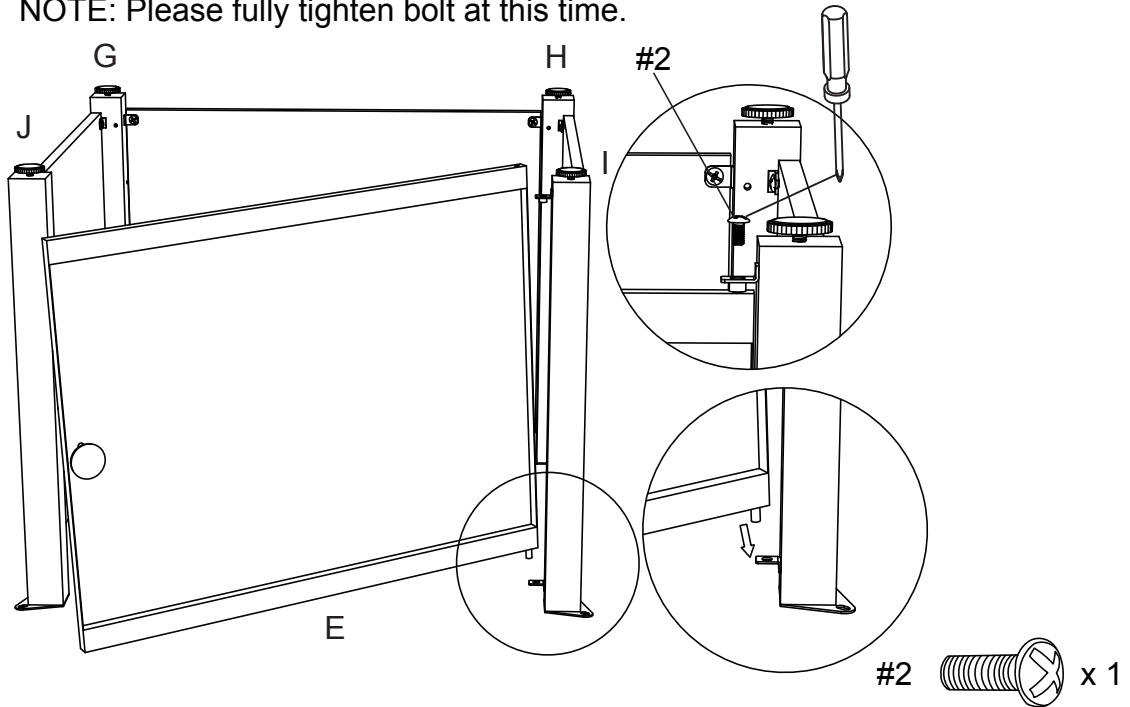
Step 2. Attach knob (part F) to door panel (part E) using short bolt (part #1) and phillips head screwdriver.

NOTE: Please fully tighten bolt at this time.



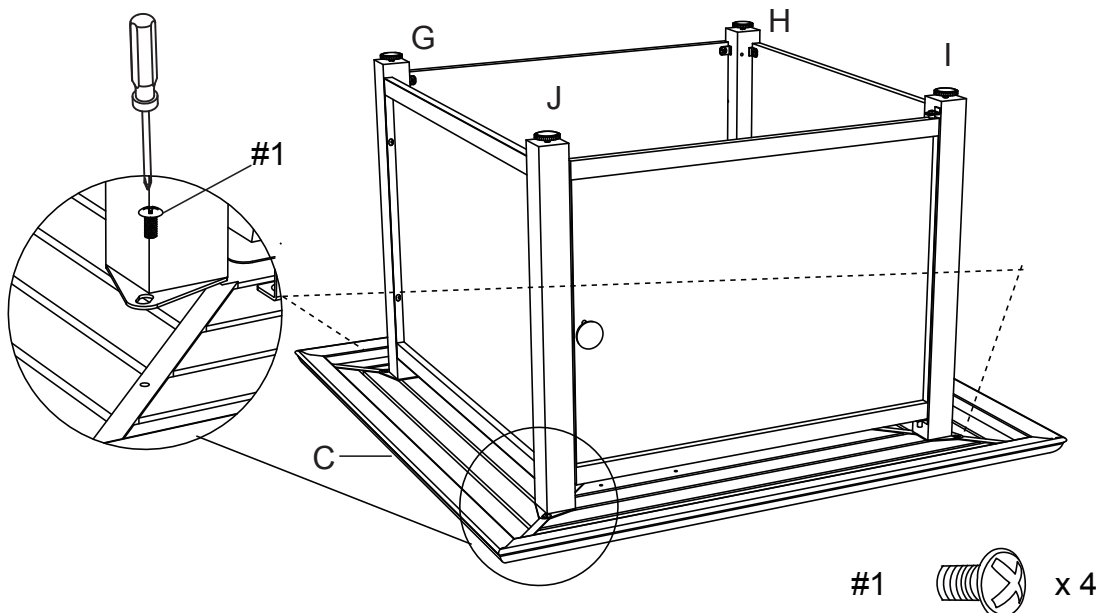
Step 3. Line up pin hinge from door panel (part E) with the holes in left door leg (part I). Attach door panel (E) to left door leg (part I) using bolt (part #2) and phillips head screwdriver.

NOTE: Please fully tighten bolt at this time.



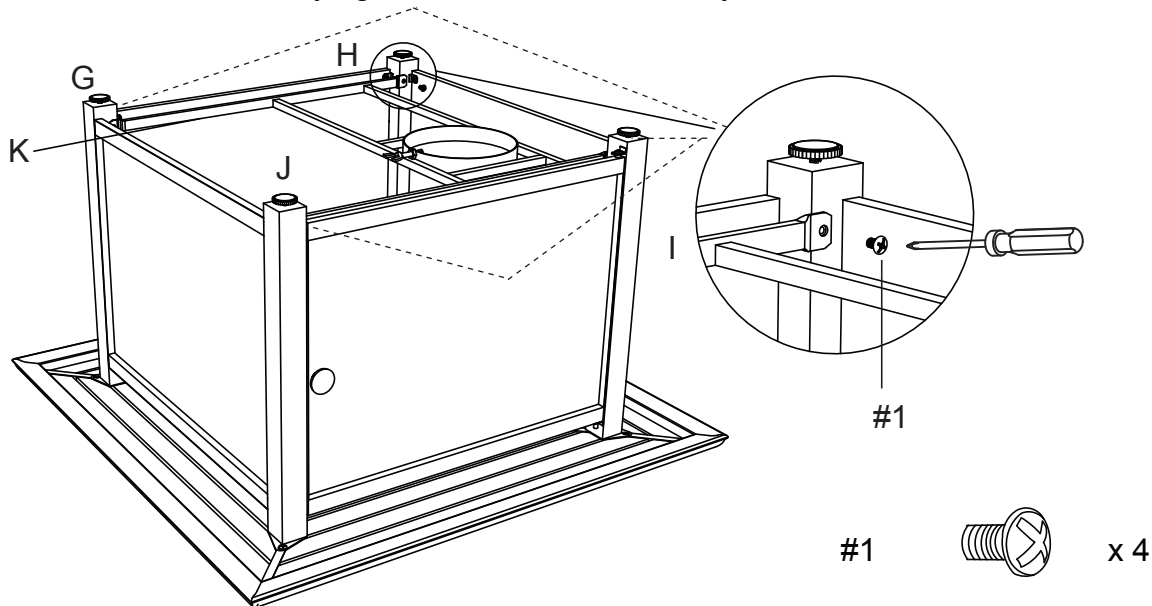
Step 4. Lay top panel (part C) upside down on a soft flat surface. Attach assembled unit to top panel (part C) using short bolts (part #1) and phillips head screwdriver.

NOTE: Please do not fully tighten bolts until unit is fully assembled.



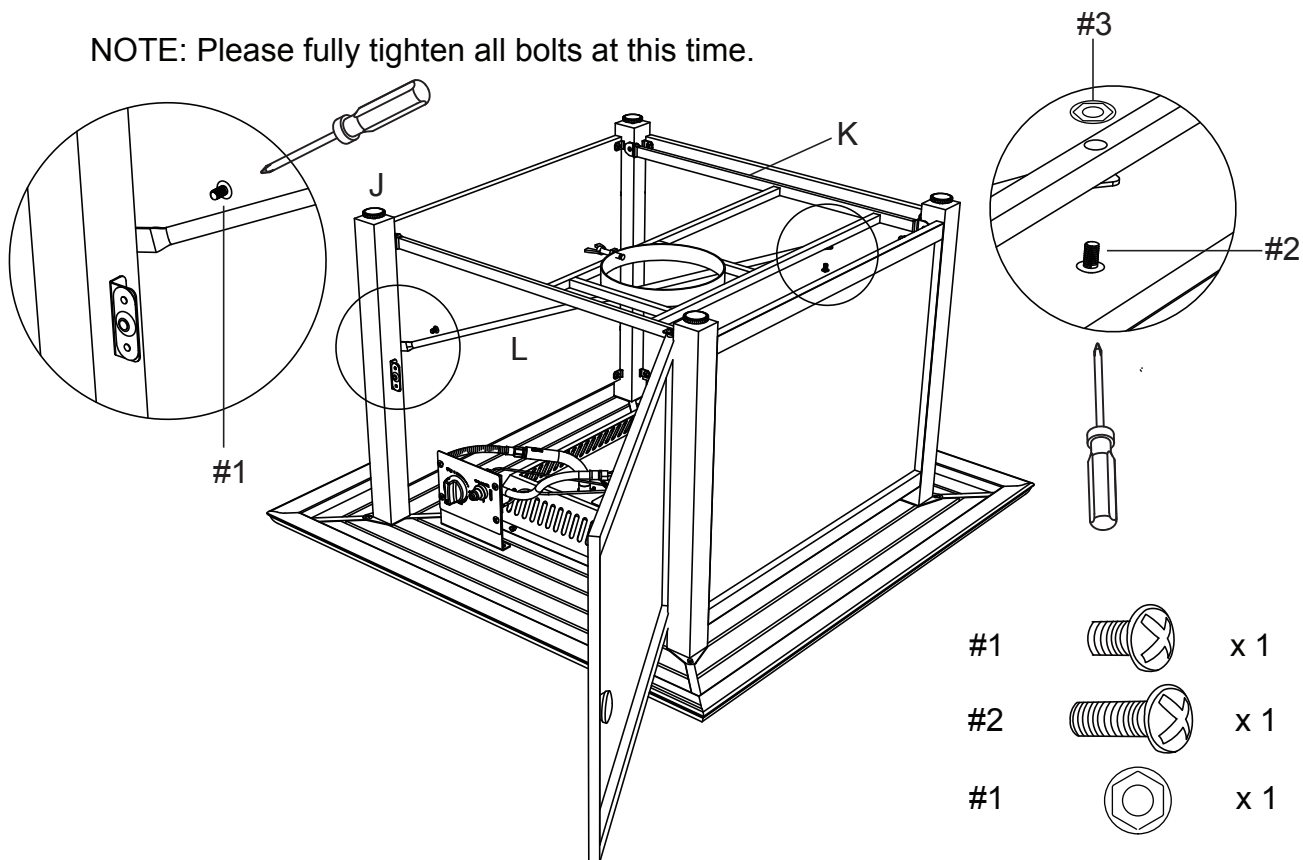
Step 5. Attach propane tank support (part K) to right leg (part G), left leg (part H), left door leg (part I) and right door leg (part J) using short bolts (part #1) and phillips head screwdriver.

NOTE: Please do not fully tighten bolts until unit is fully assembled.



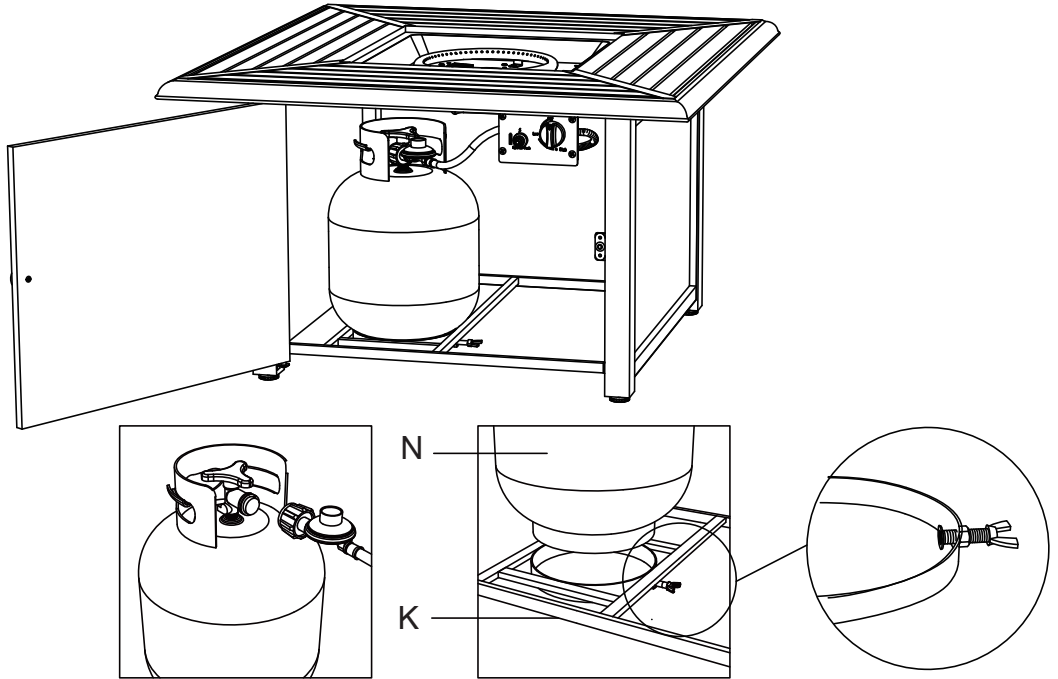
Step 6. Attach cross bar (part L) to propane tank support (part K) and right door leg (part J) using short bolt (part #1), bolt (part #2), nut (part #3) and phillips head screwdriver.

NOTE: Please fully tighten all bolts at this time.



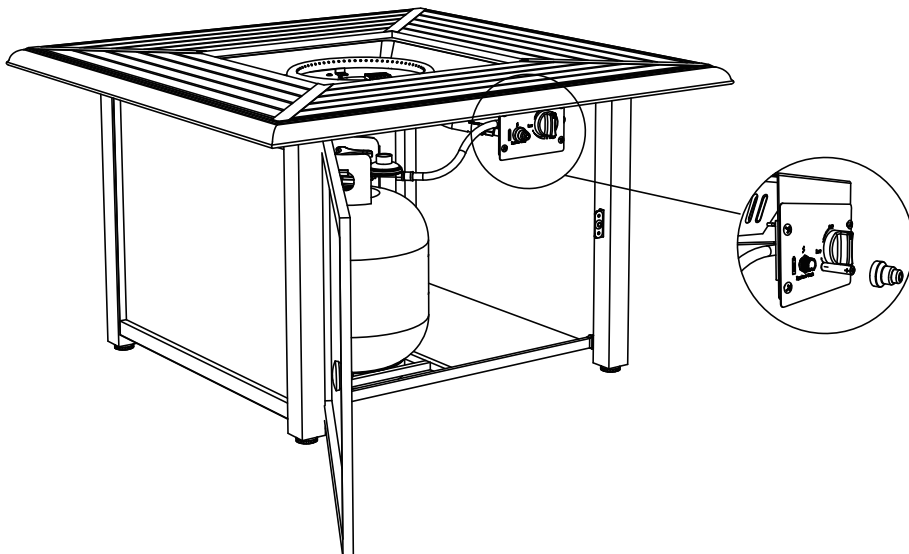
Step 7. Carefully turn unit upright. Put cylinder cover (part N) on the cylinder. Put the cylinder into the propane tank support (part K). Secure the cylinder by tightening the screw in the propane tank support (part K). Connect the hose of regulator to the cylinder.

NOTE: The propane cylinder is sold separately. Use a standard 20lb. propane cylinder only.



Step 8. Open the igniter and place AAA battery (part #4) into the igniter and tighten clockwise. Now the unit is ready to use.

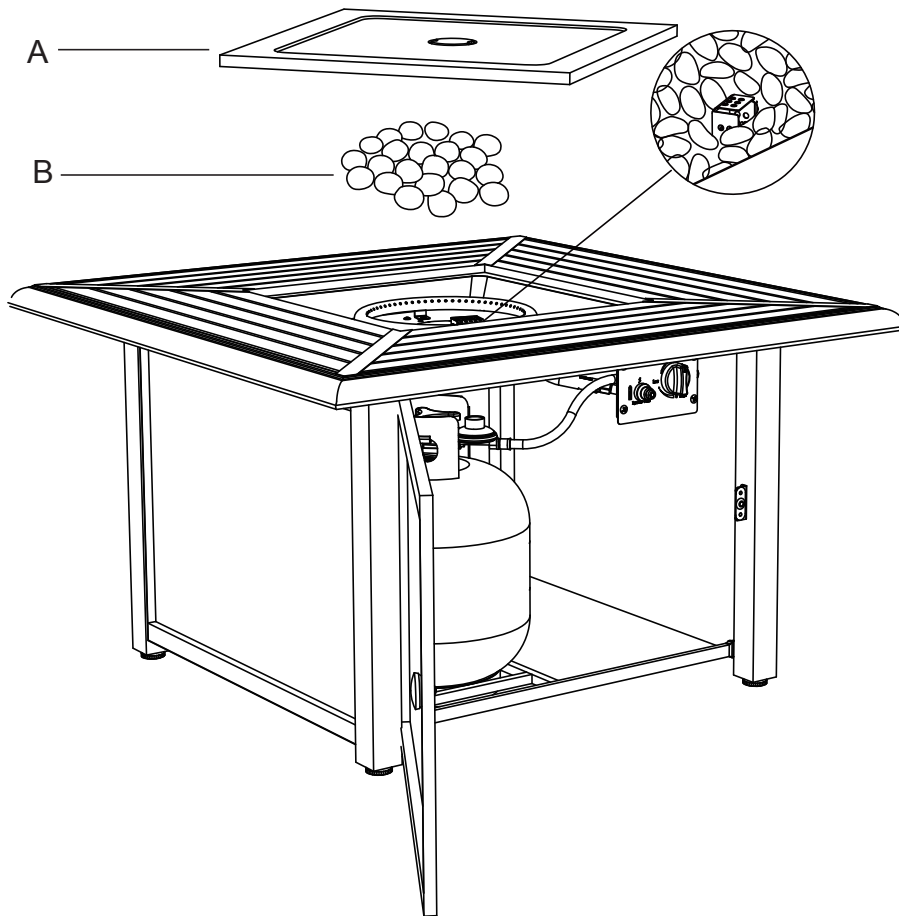
NOTE: Remove plastic wrap before installing battery.




Step 9. Put the flame glass (part B) into the fire bowl. Ensure flame glass (part B) is not covering pilot housing, as shown below. Place lid (part A) over fire bowl. The lid (part A) must be removed when burner is in use. Wait until the unit cools before placing lid (part A) over fire bowl.

When the unit has cooled down COMPLETELY and NOT in use, put table cover (part M) on the unit.


NOTE: Do not dump flame glass (part B) out of package. Carefully place flame glass (part B) by hand to prevent dust from clogging burning.




OPERATION

 **WARNING:** Never use this appliance for other than the intended use. Do not use this appliance to prepare food.

Initial Lighting: When lit for the first time, the appliance emits a slight odor. This is normal temporary condition caused by the “burn –in” of internal paints and lubricants used in the manufacturing process and does not occur again. Simply run the main burner on high for approximately one-half hour.

 **WARNING:**

- Children and adults should be alerted to the hazards of high surface temperatures and should stay away from the appliance to avoid burns or clothing ignition.
- Children should be carefully supervised when they are in the area of the appliance.
- Clothing or other flammable materials should not be hung from the appliance, or placed on or near the appliance. The area above the enclosure may be extremely hot. Direct contact with these surfaces should be avoided in order to prevent burns or clothing ignition.
- Any guard or protective device removed for servicing the appliance must be replaced prior to operating the appliance.
- Installation and repair should be done by a qualified service person.
- The appliance should be inspected before each use and at least annually by a qualified service person. More frequent cleaning may be required necessary. It is imperative that the control compartment, burners and circulating air passageways of the appliance be kept clean.

 **WARNING:**

- Never use the appliance while it is raining. Always turn the appliance off when raining.
- Never use the appliance if the burner is damaged. Inspect the burner before each use.
- Ensure that no debris such as leaves; grass or other objects have entered or are on the appliance. If the burner is damaged it must be replaced prior to using the appliance with a replacement burner specified by your manufacture.
- Inspect the hose assembly before each use. If there is evidence of excessive abrasion or wear, or if the hose is damaged it must be replaced prior to using the appliance with a replacement hose assembly specified by your manufacture.

 **WARNING: Any modification to the appliance may compromise the safety of this appliance. Special concern is as followed:**

Do not bypass thermocouple safety.

Do not operate the appliance if any parts has been under water. Immediately call a qualified service technician to inspect the appliance and replace any part of the control system and gas control, that has been underwater.

LEAK TESTING OPERATION



WARNING: A leak test must be performed annually or if a part of the gas system is replaced.



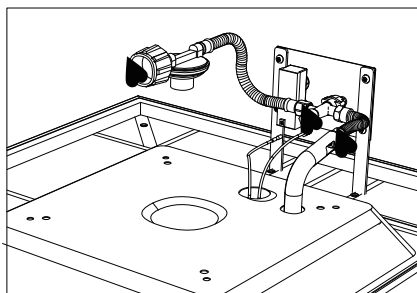
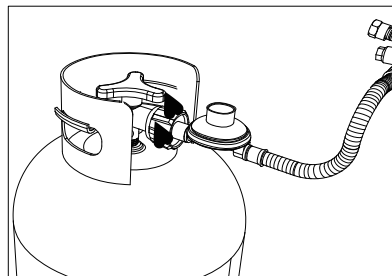
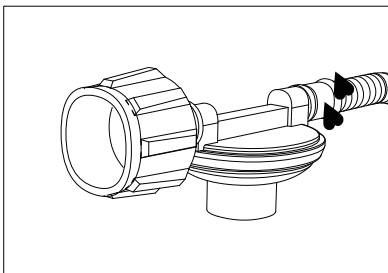
WARNING: Never use an open flame to check for gas leaks. Be certain no sparks or open flames are in the area while you check for leaks. Sparks or open flames will result in a fire or explosion, damage to property, serious bodily injury, or death.

LEAK TESTING: This must be done before initial use, annually, and whenever any gas components are replaced or serviced. Do not smoke while performing this test, and remove all sources of ignition. See leak testing diagram for areas to check. Turn all burner controls to the off position. Turn gas supply valve on. Brush a half-and-half solution of liquid soap and water onto all joints and connections of the regulator, hose, manifolds and valves. Bubbles will indicate a gas leak. Either tighten the loose joint or have the part replaced with one recommended by your manufacture and have the appliance inspected by a certified gas installer.

If the leak cannot be stopped, immediately shut off the gas supply, disconnect it, and have the appliance inspected by a certified gas installer. Do not use the appliance until the leaks have been corrected.

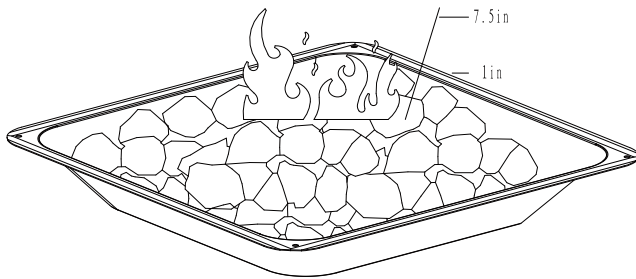


WARNING: DO NOT USE AN OPEN FLAME.



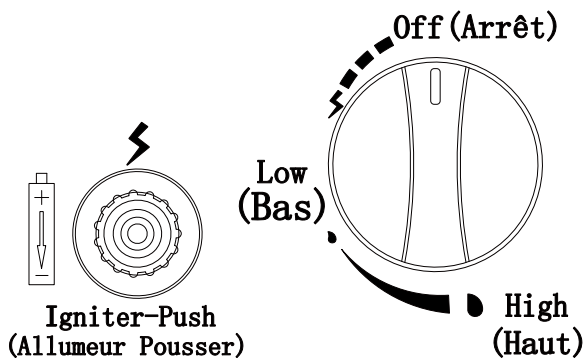
Lighting Instructions

1. Press and hold electronic igniter button.
2. Turn the burner control to the low position, press and hold. When the burner lights, release the electronic igniter button.
3. Continue to depress the burner control knob for 30 seconds and then release. If the flame goes out, repeat the procedure.
4. Adjust the flame to the desired height with the burner control knob. Visually check the burner flames as pictured below.



Normal

5. If the burner will not light with the electronic igniter, hold a lit long match or lit long butane lighter to the ignition area of the burner and continue with step 2.
6. To shut down the burner turn the burner control knob clockwise to the off position. Then turn the gas off at the source (propane cylinder valve).



! WARNING

FOR YOUR SAFETY:

Keep face and body away from burner area when lighting.
Ensure burner controls are in the off position.
Slowly turn on the gas supply valve.

! WARNING

FOR YOUR SAFETY:

The propane cylinder is equipped with an excess flow device. Unless burners are turned off prior to turning the cylinder on, only small flames and low heat will be achievable.

! WARNING

FOR YOUR SAFETY:

The propane cylinder is equipped with an excess flow device. Unless burners are turned off prior to turning the cylinder on, only small flames and low heat will be achievable.

! WARNING

FOR YOUR SAFETY:

Surface of the fire pit can remain extremely hot for a period after use.
Allow 45 minutes to cool down before touching or moving the fire pit.

MAINTENANCE AND STORAGE

MAINTENANCE:

To enjoy years of outstanding performance from your appliance, make sure you perform the following maintenance activities on a regular basis:

- **At least once a year, the unit should be inspected** for the presence of spiders, spider webs or other insects.
- Air flow must be unobstructed. Keep controls, burner, and circulating air passageways clean. Signs of possible blockage include:
 - Gas odor with extreme yellow tipping of flame.
 - Appliance does NOT reach the desired temperature.
 - Heat glow is excessively uneven.
 - Heat makes popping noises.
- Spiders and insects can nest in burner or orifices. This dangerous condition can damage appliance and render it unsafe for use. Clean burner holes by using a heavy-duty pipe cleaner. Compressed air may help clear away smaller particles.
- Carbon deposits may create a fire hazard. Clean reflector, thermocouple and emitter screen with a dry cloth if any carbon deposits develop.
- The burner is made from stainless steel, but extreme heat and a corrosive environment can cause surface corrosion to occur. Inspect the burner at least annually for cracks, insect nests, excessive corrosion or any other damage. If the burner is damaged, it must be replaced with a burner specified by the manufacturer before the appliance is put into operation.

STORAGE:

Between uses

- Turn the control knob to “OFF” position.
- Disconnect LP source.
- Store appliance upright in an area sheltered from direct contact with inclement weather (such as rain, sleet, hail, snow, dust and debris).
- Cover appliance to protect exterior surfaces and to help prevent build up in air passages.

NOTE: Wait until appliance is cool before covering.

During periods of extended inactivity or when transporting

- Turn the control knob to “OFF” position.
- Disconnect LP source and move to a secure, well ventilated location outdoors. DO NOT store in a location that will exceed 125 degrees F.
- Store appliance upright in an area sheltered from direct contact with inclement weather (such as rain, sleet, hail, snow, dust and debris).
- Cover appliance to protect exterior surfaces and to help prevent build up in air passages.

NOTE: Wait until appliance is cool before covering.

TROUBLESHOOTING

PROBLEM	PROBABLE CAUSE	SOLUTION
Low heat / Low flame when valve turned to high.	For propane- improper lighting procedure.	Ensure lighting procedure is followed carefully. The valve must be in the off position when the tank valve is turned on. Turn tank on slowly to allow pressure to equalize. See lighting instruction. Pipe must be sized according to installation code.
Burners burn with yellow flame, accompanied by the smell of gas.	Possible spider web or other debris.	Thoroughly clean burner venturi. See general maintenance instructions.
Burner will not light with the igniter, but will light with a match.	Dead battery / or installed incorrectly. Loose electrode wire or switch terminal wires.	Replace with heavy duty battery. Check that electrode wire is firmly pushed onto the terminal on the back of the igniter. Check that the lead wires from the module to the ignition switch (if equipped) are firmly pushed onto their respective terminals.
Burner will not stay lit when control knob is released.	Knob not being held in long enough. Too windy. Flame glass or debris in ignition area of the burner preventing thermocouple from being fully engulfed in flame. Dirty thermocouple or thermocouple connection. Faulty thermocouple or valve.	Thermocouple must have time to heat up-hold the knob in for 30 seconds after the burner lights, then release. Unit will shut down if winds are greater than 10mph (16km/h). Either locate to different area or use when it is less windy. Ensure there is no flame glass or other debris in ignition area, and that the small hole below the thermocouple is unobstructed. Clean the thermocouple and clean the connection between the valve and thermocouple. Ensure the connection is properly tightened. Replace thermocouple and / or valve.
Humming regulator.	Normal occurrence on hot days.	This is not a defect. It is caused by internal vibrations in the regulator and does not affect the performance or safety of the appliance. Humming regulators will not be replaced.
Burner output on "high" setting is too low. (Rumbling noise and fluttering blue flame at burner surface.)	Lack of gas. Supply hose is pinched. Dirty or clogged orifice. Spider webs or other matter in venturi tube. Propane regulator in "low flow" state.	Check gas level in propane cylinder. Reposition supply hose as necessary. Clean burner orifice. Clean out venturi tube. Ensure lighting procedure is followed carefully. All valves must be in the off position when the tank valve is turned on. Turn tank on slowly to allow pressure to equalize. See lighting instructions.